
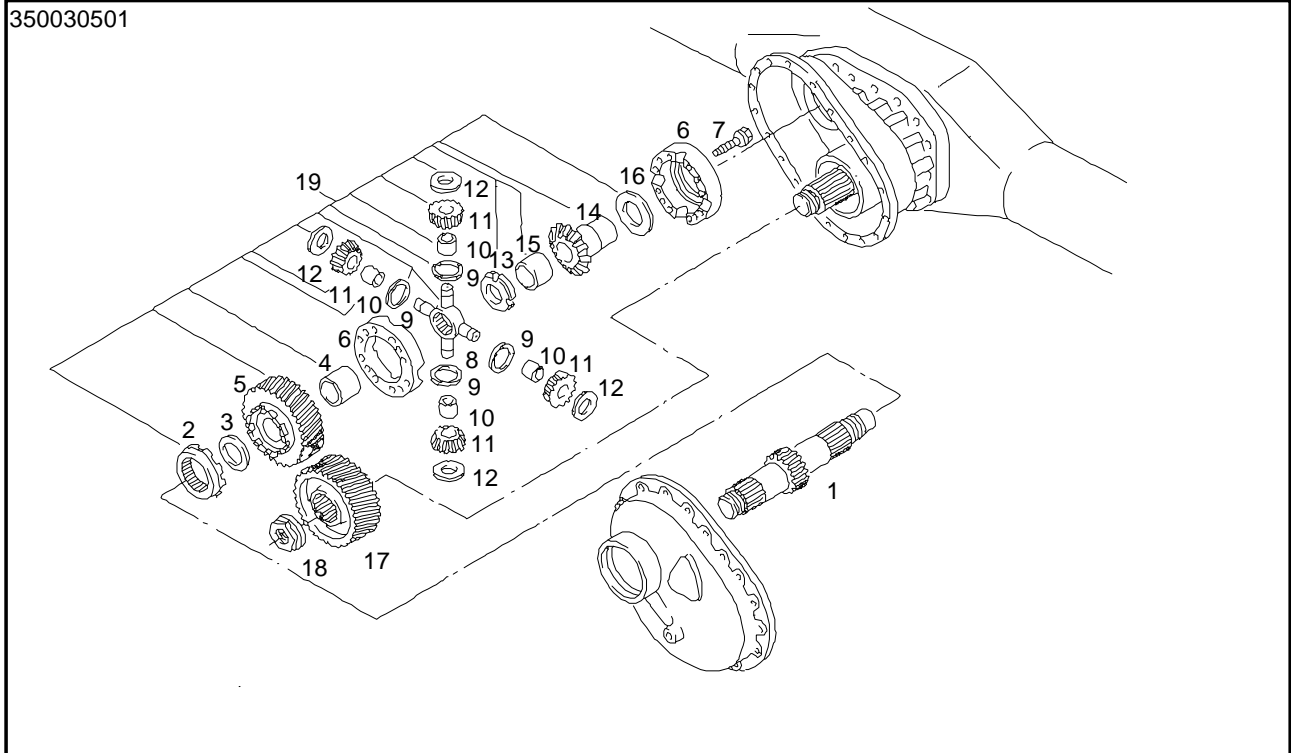



Type L H57 00	Pet 23.03	Group 357 0	Chassis No.	
Table main shaft with differential lock				
Reference No. 81.35600-6374 throughdrive Z=29:24 flange 180MM bevel gear 300MM				



Pos	Part No.	Description	Pat	All	Qty	Unit
1	81.35611-0016	>drive shaft throughdrive			1	Pcs
2	81.35612-0015	>shift sleeve >>please gear for countershaft 81.35610-0031 >>also order:			1 * *	Pcs Pcs Pcs
3	81.35204-0024	>thrust washer 3,65MM			NB	Pcs
3	81.35204-0023	>thrust washer 3,85MM			NB	Pcs
3	81.35204-0022	>thrust washer 4,00MM			NB	Pcs
4	81.93020-0568	>bush 70X75X53			1	Pcs
5	81.35610-0031	>gear for countershaft Z=30 >>please shift sleeve 81.35612-0015 >>also order:			1 * *	Pcs Pcs Pcs
6	81.35100-6593	>differential housing assembly			1	Pcs
7	06.01734-4321	>hex bolt M12X1,5X80-M10.9-MAN183-PHR			12	Pcs

Type L H57 00	Pet 23.03	Group 357 0	Chassis No.	
Table main shaft with differential lock				
Reference No. 81.35600-6374 throughdrive Z=29:24 flange 180MM bevel gear 300MM				

Pos	Part No.	Description	Pat	All	Qty	Unit
8	81.35608-0025	>differential spider			1	Pcs
9	81.91710-0444	>thrust ring			4	Pcs
10	81.93021-0219	>bush 30X34X28			4	Pcs
11	81.35609-0009	>differential bevel gear Z=11			4	Pcs
12	81.90701-0721	>retaining washer			4	Pcs
13	81.90620-0087	>grooved nut M60X1,5-16-CK45V			1	Pcs
14	81.35617-0002	>output shaft gear Z=18			1	Pcs
15	81.93020-0569	>bush 50X57X40,75			1	Pcs
16	81.35204-0031	>thrust washer 110X2,35			NB	Pcs
16	81.35204-0032	>thrust washer 110X2,60			NB	Pcs
17	81.35610-0011	>gear for countershaft Z=30			1	Pcs
18	81.90685-0303	>12-point collar nut M55X1, 5-CK45V-SW65-DBL9400.00			1	Pcs
19	81.35107-6022	Axle driving head repair kit for compensation TR-300			1	S