
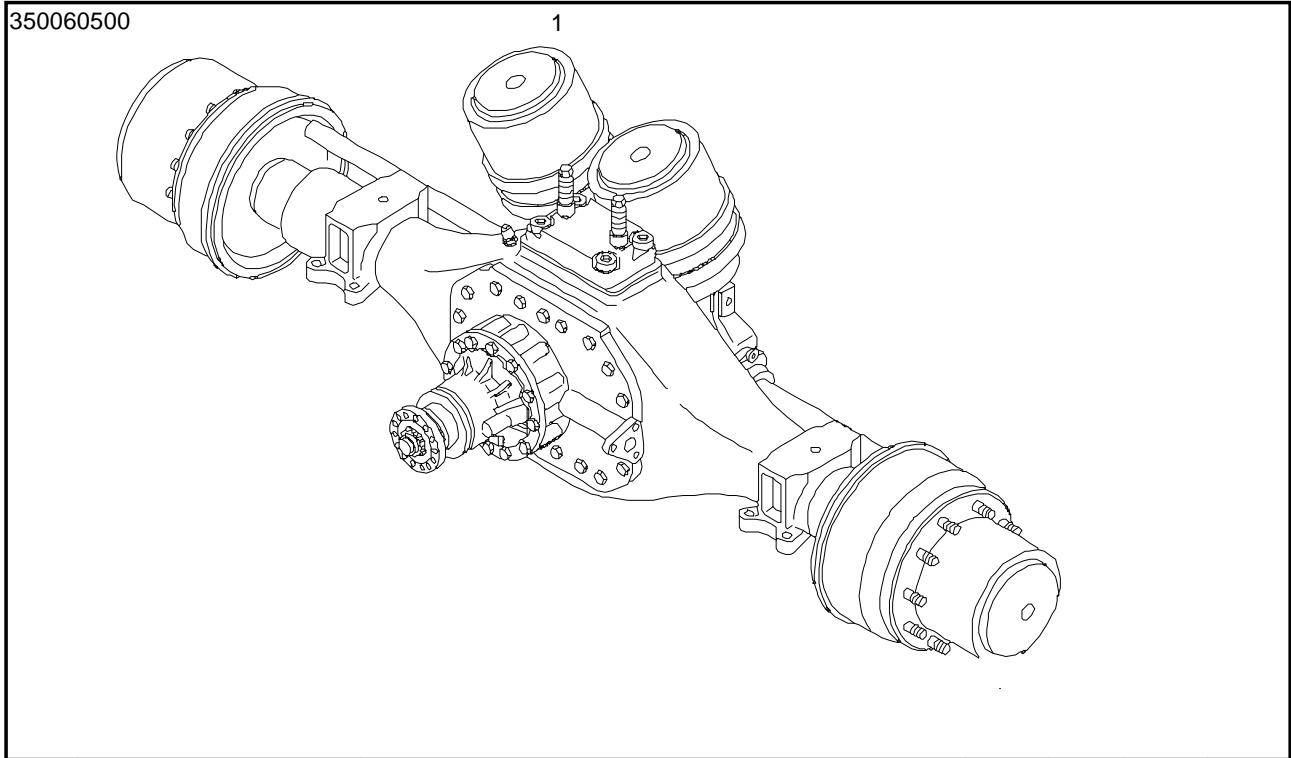


Type L 58W 00	Pet 32.11	Group 350 0	Chassis No. 0431 WMA58WZZ3CM589287	
Table rear axle HP-1652				
Reference No. 81.#0340-1065 rear axle HPD-1682-01/HP-1652-01 IP=4,0 drum brake lining 220MM leaf spring + EBS without BVS				



Pos	Part No.	Description	Pat	All	Qty	Unit
1	81.35003-7478	rear axle HP-1652-01 complete not available for individual parts see plate and/or reference number			1 * *	Pcs Pcs Pcs